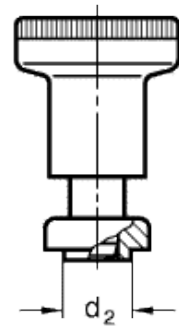
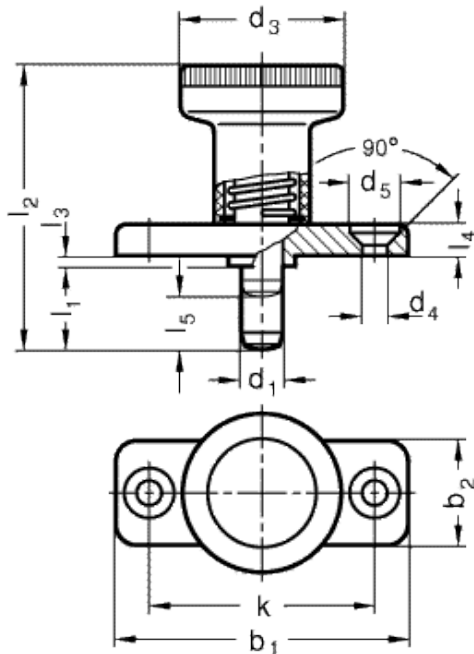


GN 608.5

Indexing plungers with flange



INOX
Stainless Steel



Plunger retracted
(if $l_1 = d_1$)



technical informations

Body with flange

Zinc-plated die-cast zinc-alloy with two holes for assembly with countersunk head screws.

Plunger

AISI 303 stainless steel, chemically nickel plated. Suggested matching hole in H7 tolerance.

"Push/Pull" knurled knob

High resilience polyamide based (PA) technopolvmer. black colour. matte finish. Resistant to solvents, oils, greases and other

chemical agents.

Applications

GN 608.5 indexing plungers with flange have compact dimensions and are used on thin metal sheets.

Standard Elements	Main dimensions											Spring pressure in N ≈		Axial holding force in N	Weight g		
	Description	$d_1 - 0.02 / - 0.04$	l_1	b_1	b_2	$d_2 - 0.02 / - 0.1$	d_3	d_4	d_5	k	l_2	$l_3 - 0.15$	l_4			l_5	Preload
GN 608.5-6-6	6	6	40	18	10	25	4.3	8.3	30	37	2.5	4.5	6	8.5	22	400	26
GN 608.5-6-14	6	14	40	18	10	25	4.3	8.3	30	45	2.5	4.5	6	8.5	22	400	38
GN 608.5-8-8	8	8	46	20	12	31	5.3	10.4	34	44	2.5	5.5	8	15.5	28	500	59
GN 608.5-8-18	8	18	46	20	12	31	5.3	10.4	34	54	2.5	5.5	8	15.5	28	500	62



STANDARD MACHINE ELEMENTS WORLDWIDE